

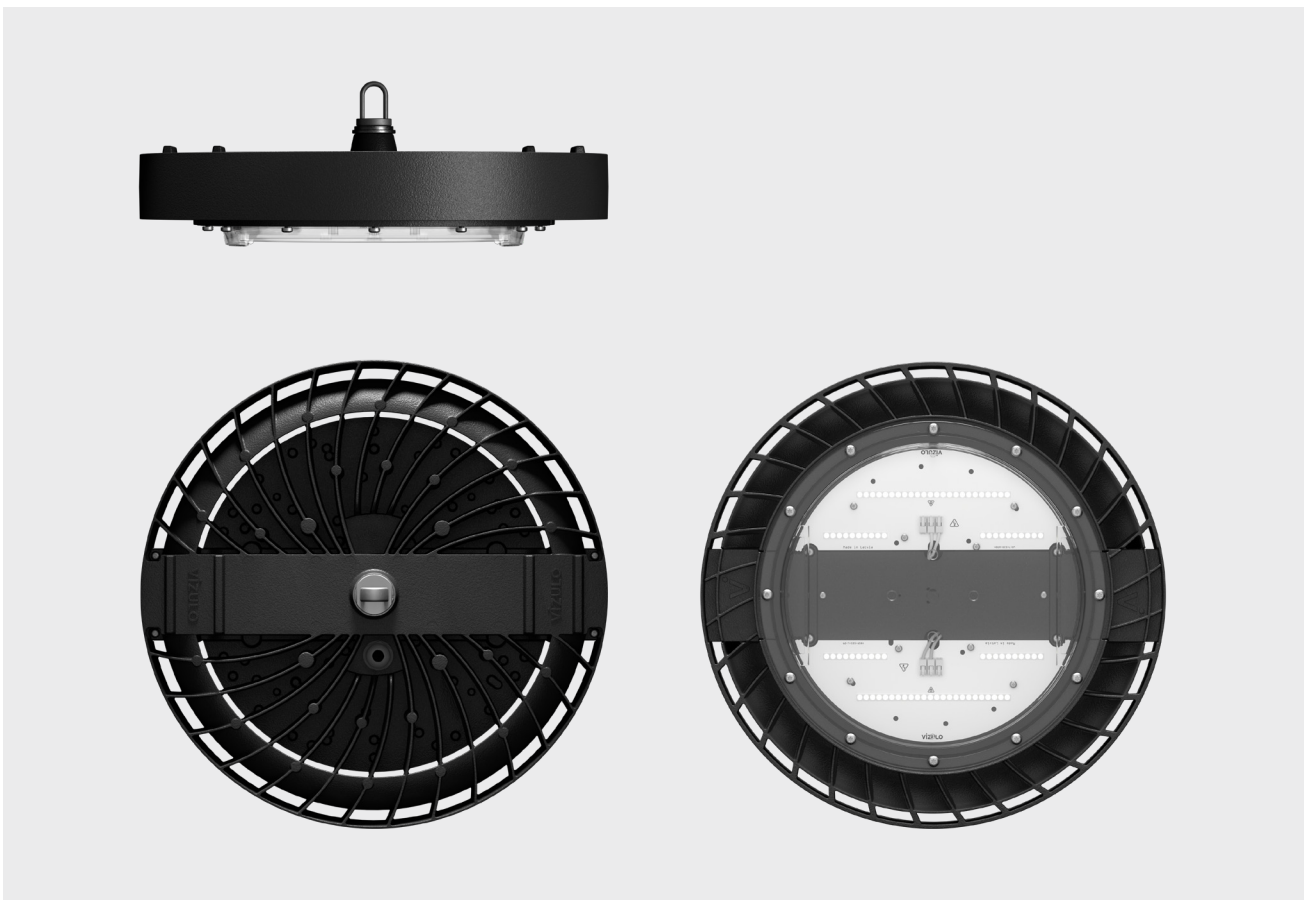


vizULO

ACORN  
Gen2

High-bay

# Acorn Gen2 high-bay



RAL9016

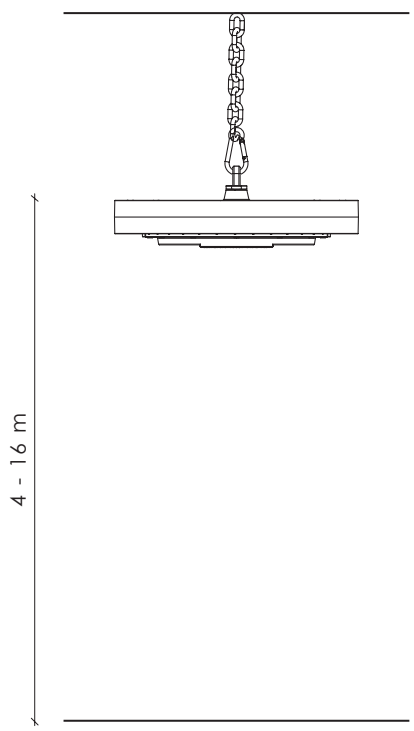
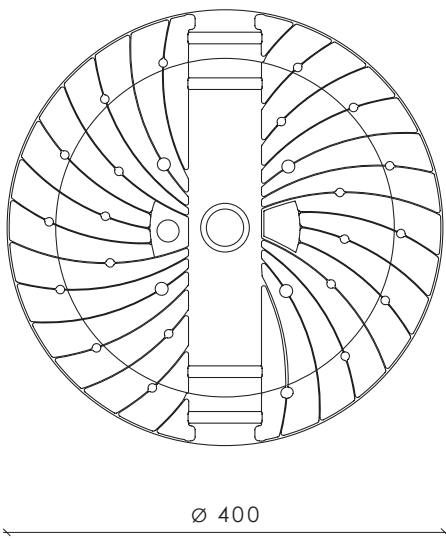
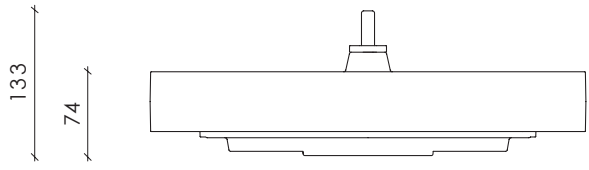


RAL7035

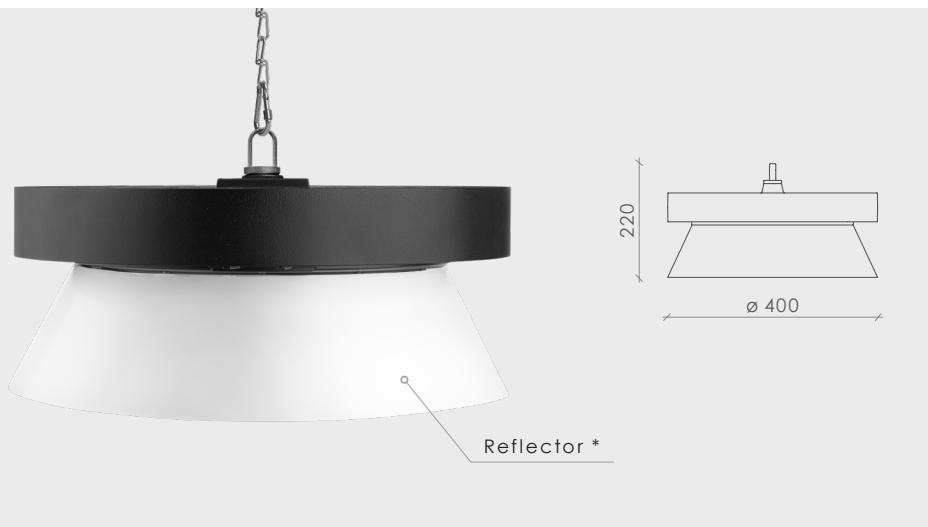


RAL9005

Other colors  
available on request



# Features



▾ Acorn Gen2 High-bay  
with reflector

\* Reflector color options:



Other reflector colors  
available on request

# Applications



↘ Sports hall



↘ Industrial  
luminaires

## Technical information



IP65<sup>7)</sup>

IK10



RoHS



CASAMBI

SundaHus<sup>9)</sup>  
assessment  
available



<b>V</b>	220 - 240
<b>Hz</b>	50 - 60
<b>W</b>	50 - 270 <sup>1)</sup> 30 - 200 <sup>2)</sup> 30 - 150 <sup>3)</sup>
<b>lm</b>	4902 - 45172 <sup>4)</sup>
<b>lm/W</b>	Up to 167
<b>K</b>	3000 / 4000 / TW 2700 - 6500 K <sup>5)</sup>
<b>°C</b>	-40 up to +50 <sup>6)</sup>
<b>CRI</b>	>70 / >80 / >90 <sup>5)</sup>

<b>Body:</b>	Die-cast aluminium
<b>Dimming:</b>	DALI / 1-10 V / Bluetooth / Non dimmable
<b>Sensor:</b>	Microwave / PIR / PIR + Daylight
<b>Initial chromaticity:</b>	MacAdam 5 MacAdam 3 (on request)
<b>Lifetime:</b>	100 000 h (L80B10) at Ta = 25 °C*
<b>Warranty:</b>	5 years 2 years (emergency configuration)
<b>Optics:</b>	Symmetrical / Asymmetrical
<b>Mounting:</b>	High-bay
<b>Human Centric</b>	
<b>Lighting:</b>	Available
<b>Neto weight:</b>	Up to 6.12 kg

<sup>1)</sup> With optics C01 / C02 / C03

<sup>2)</sup> With optics D02 / D03

<sup>3)</sup> Emergency configuration

<sup>4)</sup> Lumen output indicated at 4000 K, CRI > 70

<sup>5)</sup> 1800 / 2200 / 2700 / 3500 / 5000 / 5700 / 6500 K available on request along with other not listed CRI and CCT

<sup>6)</sup> Operating temperature differs depending on chosen output wattage

<sup>7)</sup> Emergency configuration IP40

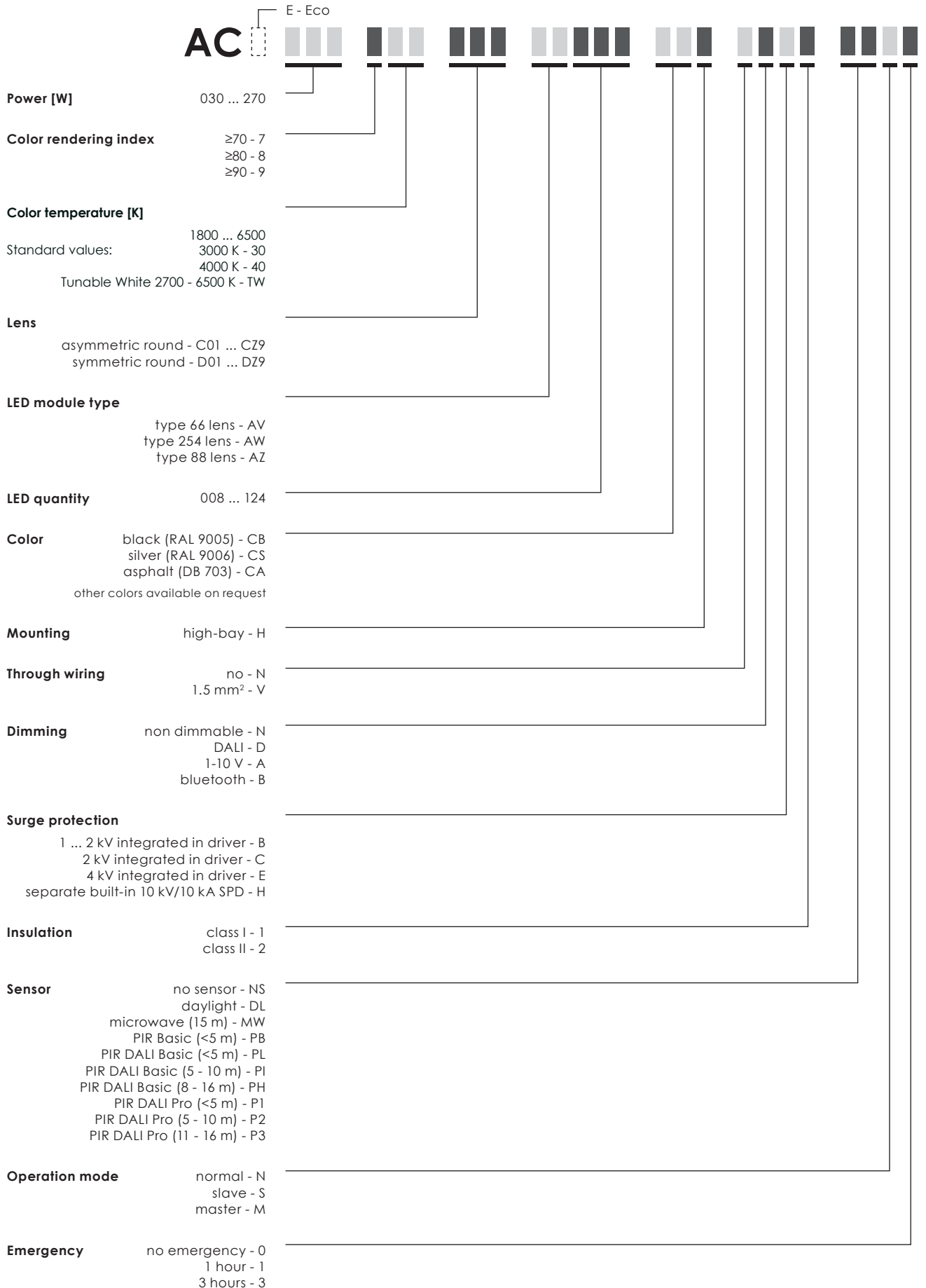
<sup>8)</sup> Ball proof: tested according to DIN 57710-13

<sup>9)</sup> Check SundaHus web page for product assessment results

\* This value is only informative and may change according to selected article. LED Lifetime is strongly depending from LEDs current and junction temperature – increase in LED current and luminaire power lead to increase of junction temperature and as consequence lifetime decrease. Thus, luminaire models with lower power, lower current (and lower junction temperature) will have higher lifetime than standard models. And high power and high current luminaire models may have negative lifetime deviation comparing to standard models. To receive precise value please contact VIZULO export representatives.

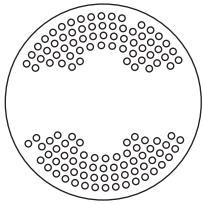
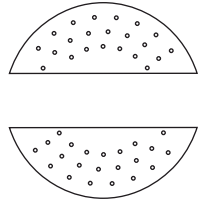
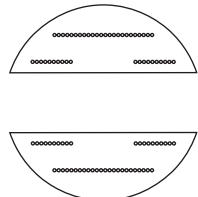
Technical parameters for final product can differ from typical data by 7% due to special conditions of LED manufacturing processes.

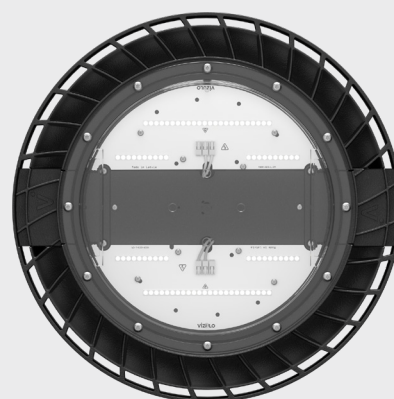
# Model name principles



**EXAMPLE** ACE 150 730 DA7 AW124 CBH NNE1 NSN1

# LED modules

Type	Min LED quantity per luminaire	Max LED quantity per luminaire	LED step	LED type	Lens type	Layout
AW	44	124	4	ECO	type 254 lens	
AV	8	44	4	ECO	type 66 lens	
AZ	16	88	8	ECO	type 88 lens	



∨ AW type LED module

∨ AV type LED module

∨ AZ type LED module



# Logistics

	Length / mm	Width / mm	Height / mm	Net weights / kg	Gross weights / kg	Volume / m <sup>3</sup>
Case (OD)	414	171	435	5.600	6.150	0.308
Product	1197	828	1740	313.600	344.400	1.72
Load	1200	828	1884	328.600	359.400	1.87

Number of luminaires per row

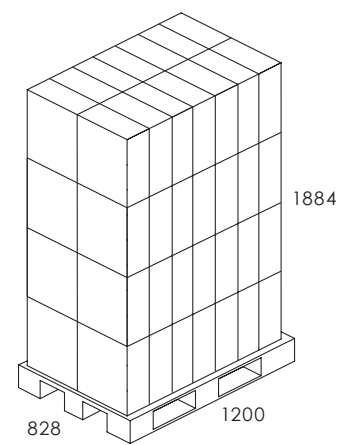
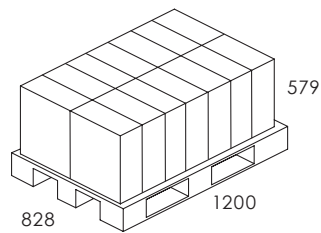
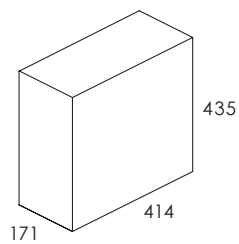
14

Number of rows

4

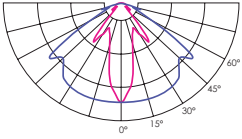
QTY per pallet / pcs

56

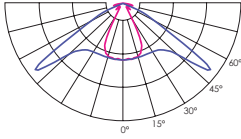


# Optics

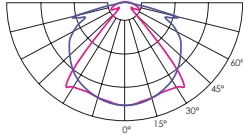
C01



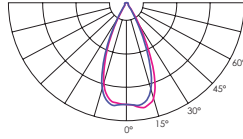
C02



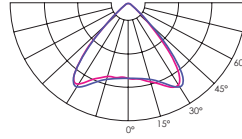
C03



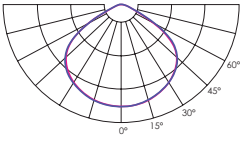
D02



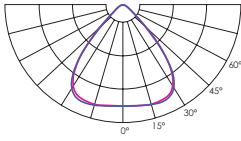
D03



DA7



DA8



# Sensors

## Microwave sensor (On-Off)

<b>Power Source:</b>	220 – 240 VAC
<b>Rated load:</b>	800 W
<b>HF System:</b>	5.8 GHz ( $\pm$ 75 MHz)
<b>Hold-time:</b>	2 s ~ 30 min (selectable)
<b>Sensitivity:</b>	10% / 50% / 75% / 100%
<b>Daylight sensor:</b>	2 ~ 500 lux, disable
<b>Detection range (Max):</b>	20 m ( $\varnothing$ ) / 15 m (H) (adjustable)
<b>Detection angle:</b>	360°
<b>Working temperature:</b>	-20 °C ~ +50 °C *
<b>IP rating:</b>	IP65
<b>Certificates:</b>	Semko, CB, CE, EMC, RED, RCM



∨ Microwave sensor (On-Off)

## Microwave sensor (DALI)

<b>Power Source:</b>	120 – 277 VAC
<b>Rated load:</b>	Max 20 DALI devices
<b>HF System:</b>	5.8 GHz ( $\pm$ 75 MHz)
<b>Hold-time:</b>	2 s ~ 30 min (selectable)
<b>Sensitivity:</b>	10% / 50% / 75% / 100%
<b>Daylight sensor:</b>	2 ~ 500 lux, disable
<b>Stand-by period (corridor function):</b>	0 s ~ 1 h, + $\infty$ (selectable)
<b>Stand-by dimming level:</b>	10% / 20% / 30% / 50%
<b>Detection range (Max):</b>	20 m ( $\varnothing$ ) / 15 m (H) (adjustable)
<b>Detection angle:</b>	360°
<b>Working temperature:</b>	-20 °C ~ +50 °C *
<b>IP rating:</b>	IP65
<b>Certificates:</b>	Semko, CB, CE, EMC, RED, RCM



∨ Microwave sensor (DALI)

## Daylight sensor

<b>Power Source:</b>	220 - 240 V
<b>DALI output devices:</b>	10 / 32
<b>DALI output:</b>	2 Channels
<b>Type:</b>	Light and presence
<b>Max. detection area (<math>\varnothing</math>):</b>	7 - 9 m
<b>Max. installation height:</b>	5 m
<b>Presence detection angle:</b>	40 - 90° (fixed or adjustable)
<b>Light-control range:</b>	10 - 800 lux
<b>Hold-time:</b>	User-definable
<b>Working temperature:</b>	-20 °C ~ +50 °C *
<b>Remote control (optional):</b>	Set and control with IR remote control **



∨ Daylight sensor

\* Minimal Luminaire working temperature will be same or higher than for specific Sensors (if used)

\*\* Remote control can be ordered separately

## Mid-range DALI-2 multisensor (PIR sensor)

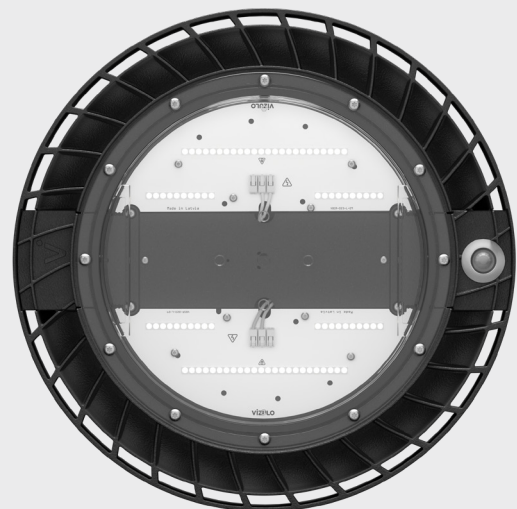
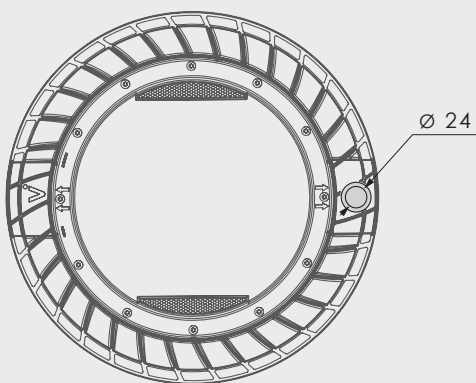
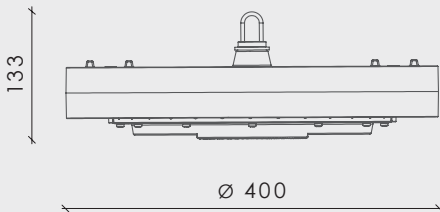


↘ Mid-range DALI-2 multisensor

<b>Power Source:</b>	DALI
<b>Mounting height (H):</b>	5 - 10 m
<b>Detection range for PIR (Max):</b>	8 m (@H = 10 m)
<b>Detection angle for PIR:</b>	72° / 44° (tagential / radial)
<b>Detection angle for light measurement:</b>	30° - 40°
<b>Light-control range:</b>	0.5 - 2000 lux (adjustable)
<b>Working temperature:</b>	-20 °C ~ +50 °C *
<b>Min. temperature difference between ambient temperature and detected object:</b>	± 4 °C
<b>Remote control (optional):</b>	Set and control with IR remote control **

\* Minimal Luminaire temperature will be same or higher than for specific Sensors (if used)

\*\* Remote control can be ordered separately

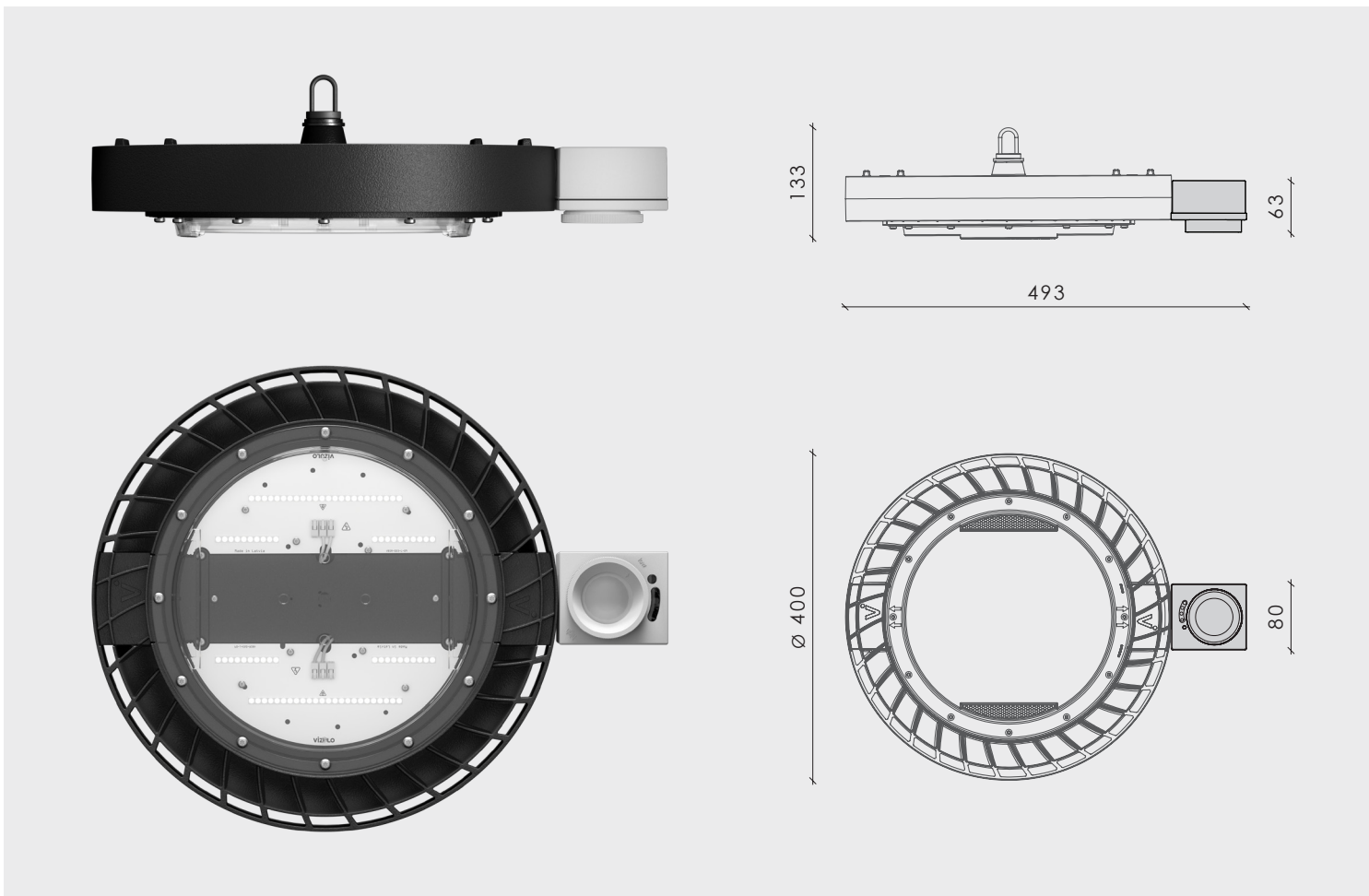
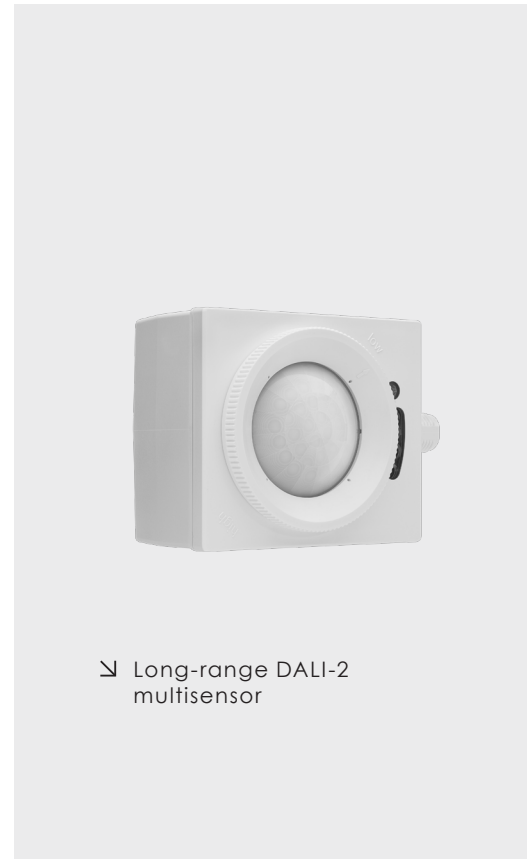


## Long-range DALI-2 multisensor (PIR sensor)

<b>Power Source:</b>	DALI
<b>Mounting height (H):</b>	8 - 12 m (range position "low") 12 - 16 m (range position "high")
<b>Detection range for PIR (Max):</b>	18 m (@H = 16 m)
<b>Detection angle for PIR detection angle "low":</b>	72°
<b>Detection angle for PIR detection angle "high":</b>	60°
<b>Detection angle for light measurement:</b>	13°
<b>Light-control range:</b>	0.5 - 2000 lux (adjustable)
<b>Working temperature:</b>	-20 °C ~ +50 °C *
<b>Min. temperature difference between ambient temperature and detected object:</b>	± 4 °C
<b>Remote control (optional):</b>	Set and control with IR remote control **

\* Minimal Luminaire temperature will be same or higher than for specific Sensors (if used)

\*\* Remote control can be ordered separately



# Emergency lighting

ACORN Gen2 has an option to have Emergency lighting (up to **150 W**).

## Features

- Self contained emergency lighting
- 1 or 3 h rated duration
- Dimmable and non-dimmable versions available
- Constant power output
- Deepdischarge protection

While Mains voltage is present Emergency controller is also charging the connected battery.

Rated emergency duration can be chosen (based on battery capacity) and can be 1 h or 3 h.

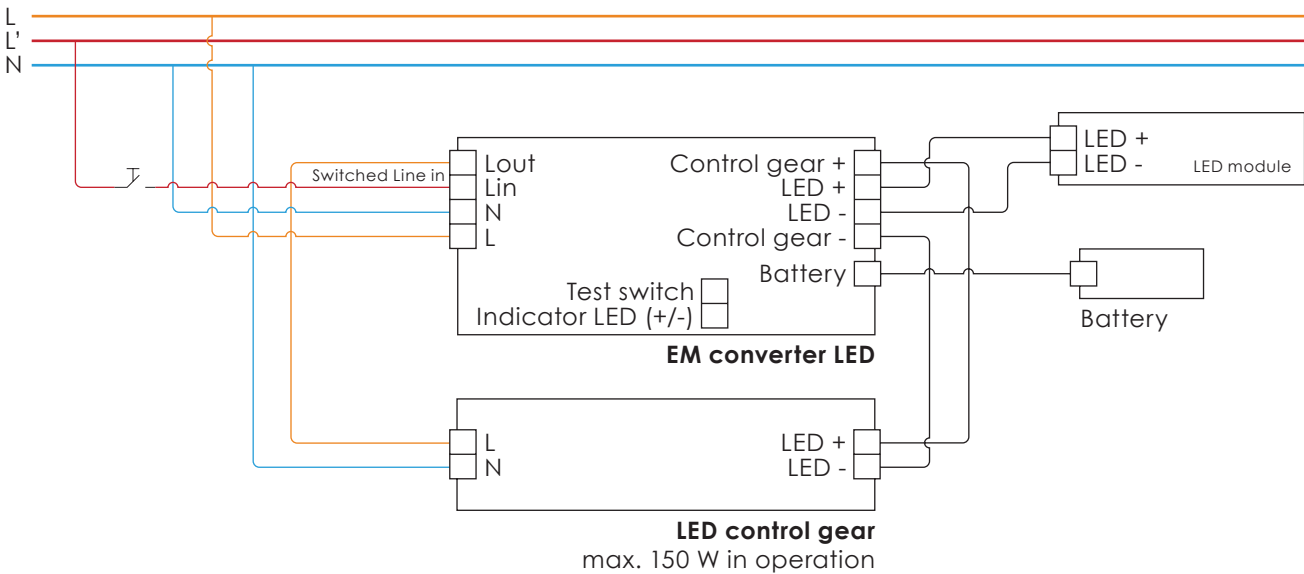
## Operation

ACORN Gen2 luminaire which is equipped with Emergency lighting will work in 2 modes based on electrical conditions:

1) If Mains voltage is present, luminaire will work with its programmed power (just like in case without Emergency lighting;

2) If there is outage of Mains voltage, luminaire will work in Emergency mode with little power (about 2.5 W) while feeding from the battery.

## Simple wiring diagram



### Additional Test switch

For connection to the emergency  
For checking the device function

### Status indication LED

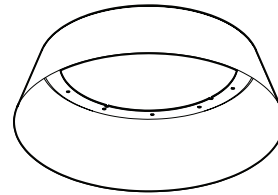
Two-colour status display LED (bi-color)  
Green: system OK, Red: fault



# Accessories

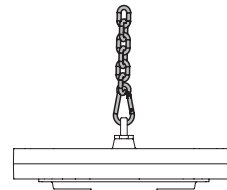
## ACORN Gen2 reflector \*

RAL 9016 (white) .....	Art. 70058028
RAL 9005 (black) .....	Art. 70058043
RAL 7035 (light grey) .....	Art. 70058044



## Chain suspension set

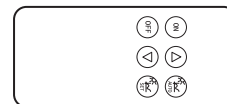
1 m long chain .....	Art. 70058006
1.5 m long chain .....	Art. 70058020
3 m long chain .....	Art. 70058018



## Remote control \*\*

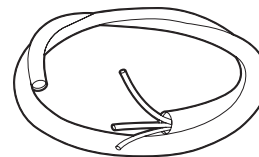
Art. 70000670

REMOTECONTROL IR6



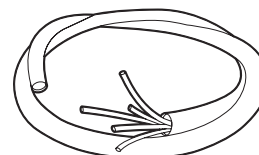
## H05RN-F, black flexible rubber cables (3 x 1.5 mm<sup>2</sup>) \*\*\*

1 m long cable .....	Art. 70100193
2 m long cable .....	Art. 70100177
3 m long cable .....	Art. 70100178
4 m long cable .....	Art. 70100144
5 m long cable .....	Art. 70100146
6 m long cable .....	Art. 70000512
7 m long cable .....	Art. 70100182
8 m long cable .....	Art. 70000630
9 m long cable .....	Art. 70000381
10 m long cable .....	Art. 70000631
11 m long cable .....	Art. 70100143
12 m long cable .....	Art. 70100147
13 m long cable .....	Art. 70100187
14 m long cable .....	Art. 70100164
15 m long cable .....	Art. 70100030



## H05RN-F, black flexible rubber cables (5 x 1.5 mm<sup>2</sup>) \*\*\*

1 m long cable .....	Art. 70100026
2 m long cable .....	Art. 70000573
3 m long cable .....	Art. 70000339
4 m long cable .....	Art. 70000382
5 m long cable .....	Art. 70000316
6 m long cable .....	Art. 70000317
7 m long cable .....	Art. 70000375
8 m long cable .....	Art. 70000318
9 m long cable .....	Art. 70000518
10 m long cable .....	Art. 70000306
11 m long cable .....	Art. 70000343
12 m long cable .....	Art. 70000307
13 m long cable .....	Art. 70100157
14 m long cable .....	Art. 70100218
15 m long cable .....	Art. 70000446



\* Other reflector colors available on request

\*\* Available only in combination with a luminaire equipped with PIR function

\*\*\* Other cables and lengths available on request

# Certification



**CE** – conformity with European Union's health, safety and environmental protection standards

The CE mark is placed on products to state conformity with the relevant EU health, safety and environmental protection standards. In case of electronic products, the standards are, for example, the Restriction of Hazardous Substances in Electrical and Electronic Equipment (RoHS) directive, Waste Electrical and Electronic Equipment (WEEE) directive, the Electromagnetic Compatibility (EMC) directive etc. The mark ensures that the product can be sold anywhere in the European Economic Area (EEA).



**UKCA** - conformity with the relevant essential requirements of Great Britain

UKCA is a product mark intended to demonstrate compliance with the directives set by Great Britain (England, Scotland and Wales). It is analogous to the European Union's CE marking, meaning that depending on the type of product the applicable regulations are different. In case of LED lighting, the relevant requirements are compliance with the Electromagnetic Compatibility Regulations, the Electrical Equipment (Safety) Regulations, the Restriction of the Use of Certain Hazardous Substances in Electrical and Electronic Equipment Regulations and the Ecodesign for Energy-Related Products and Energy Information (Lighting Products) Regulations.



**RoHS** – compliance with European Union's RoHS directive

The RoHS (Restriction of Hazardous Substances in Electrical and Electronic Equipment) directive restricts (with exceptions) the use of ten hazardous materials in the manufacture of various types of electronic and electrical equipment. The aim of the directive is to prevent the risks posed to human health and the environment related to the management of electronic and electrical waste.



**Bygghälsöcertifiering** – product chemical content and life cycle assessment

Bygghälsöcertifieringen is a non-profit organization owned by large constructors and property owners in Sweden. The organization conducts assessments of various construction products based on chemical content and sustainability criteria. The constituent substances and product life cycle are evaluated and the product is assigned one of three levels:



Recommended (green)



Accepted (yellow)



To be avoided (red)

*Note: the Recommended level assessment is unavailable for electronic products since it is assumed that all electronic products contain brominated flame retardants.*



**Ball-proof** – compliance with the requirements of the DIN 57710-13 testing standard

The ball-proof test is described in the standard DIN 57710-13 (Luminaires with operating voltages below 1000 V; luminaires safety to ball throwing). The standard defines the requirements set for impact resistance of luminaires meant for use in indoor sports facilities. It states that a luminaire struck by a ball must withstand any damage that could cause parts of the luminaire to fall to the ground.



**SundaHus** – product material data assessment

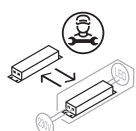
SundaHus i Linköping AB (publ) is a consulting company for the improvement of indoor environmental quality. The company conducts health and environmental assessments of building materials and assigns each product a letter evaluation:

- A** products that provide minimal health risks
- B** products that do not qualify for A, but do not match the criteria for C+, C- or D
- C+** products that risk exposure to substances of very high concern
- C-** products that risk exposure to toxic or volatile substances, as well as negatively impact the environment
- D** products that cannot be assessed due to insufficient data



**LED module replaceable by a professional**

This pictogram shows that the LED modules included in the luminaire are only replaceable by a professional. This labeling is a requirement following the introduction of European Union's Regulation on energy labelling for light sources (EU) 2019/2015.



**LED driver replaceable by a professional**

This pictogram shows that the LED driver included in the luminaire is only replaceable by a professional. This labeling is a requirement following the introduction of European Union's Regulation on energy labelling for light sources (EU) 2019/2015.



# References



▾  
Hestheimar horse farm, Iceland



▾  
Komarom sports hall, Hungary



## VIZULO

Bukultu street 11  
Riga, LV – 1005, Latvia

Sales: + 371 67 383 023  
Production: + 371 67 383 024

[sales@vizulo.com](mailto:sales@vizulo.com)  
[www.vizulo.com](http://www.vizulo.com)

