

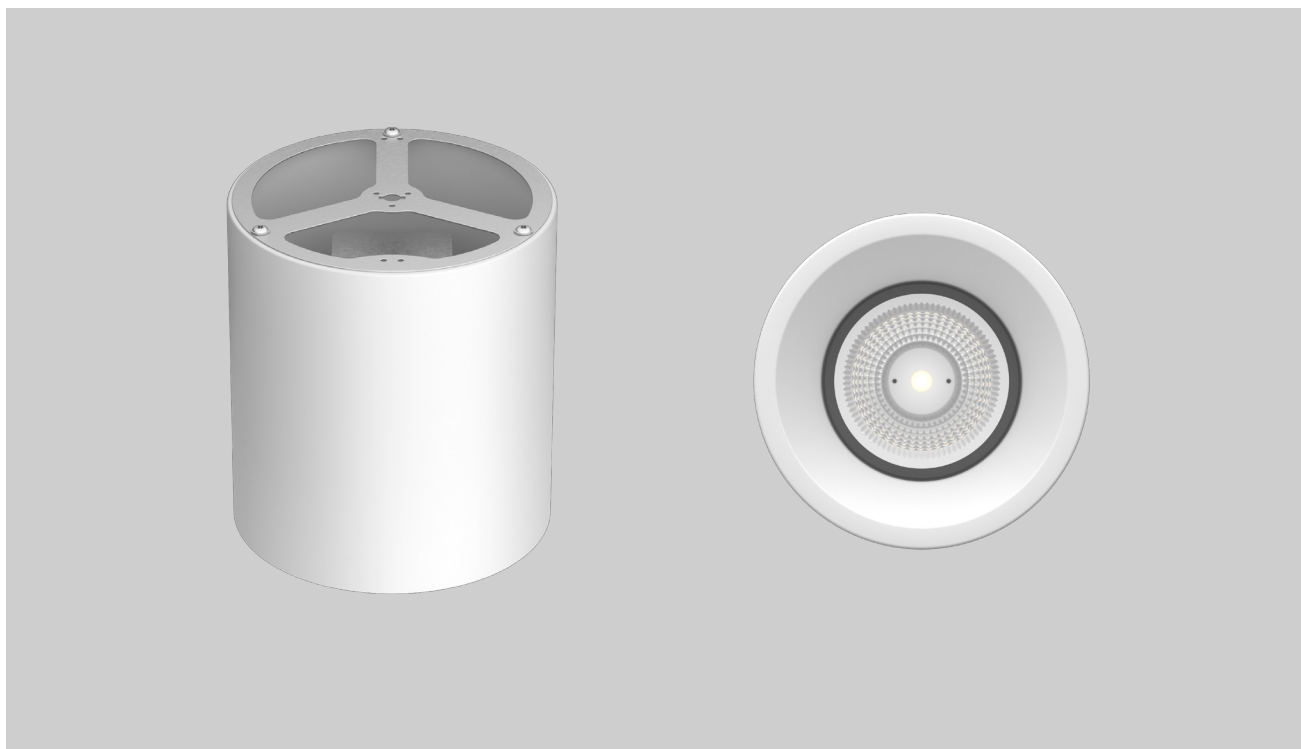


vizulo

Nest

CLASSIC SURFACE

Nest classic surface



RAL9016

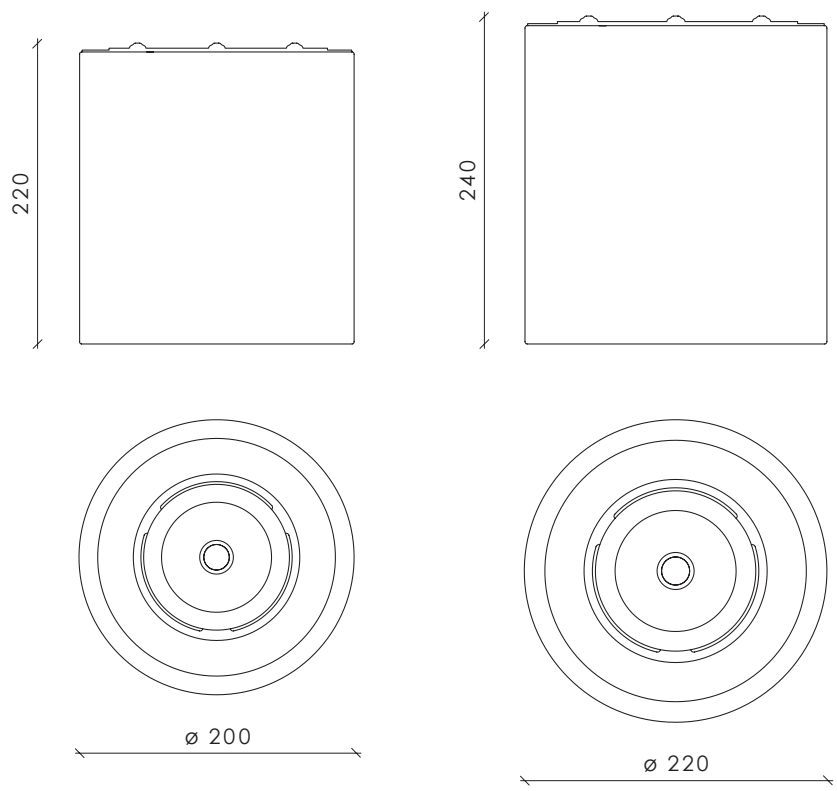
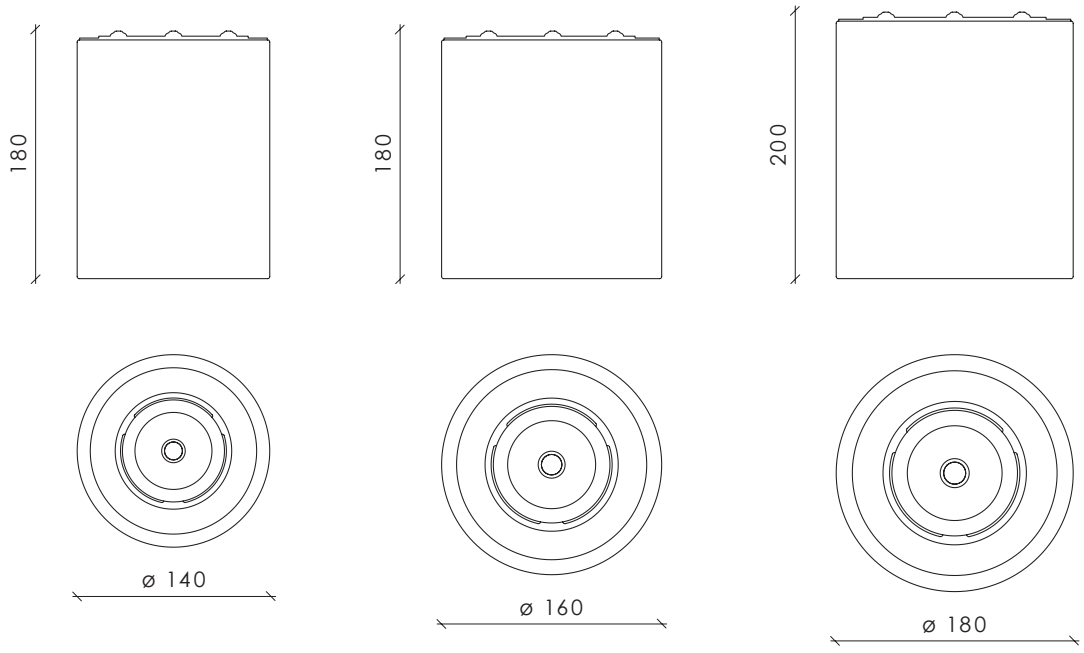


RAL9006



RAL9005

Other colors
available on request



Technical information



V	220 - 240
Hz	50 - 60
W	15 - 25
lm	1540 - 2685 ¹⁾
lm/W	90 - 113
K	3000 / 4000
°C	+10 to +35
CRI	>80

Body:	Aluminium
Dimming:	DALI / 1-10 V / Bluetooth / Non dimmable
Initial chromaticity:	MacAdam 3
Lifetime:	100 000 h (L80B10) at Ta = 25 °C* 50 000 h (L90B10) at Ta = 25 °C*
Warranty:	5 years
Mounting:	Surface
Cover:	No cover / Clear glass / Matt glass
Human Centric	
Lighting:	Available
Distribution angle:	55°

¹⁾ Lumen output indicated at CRI > 80

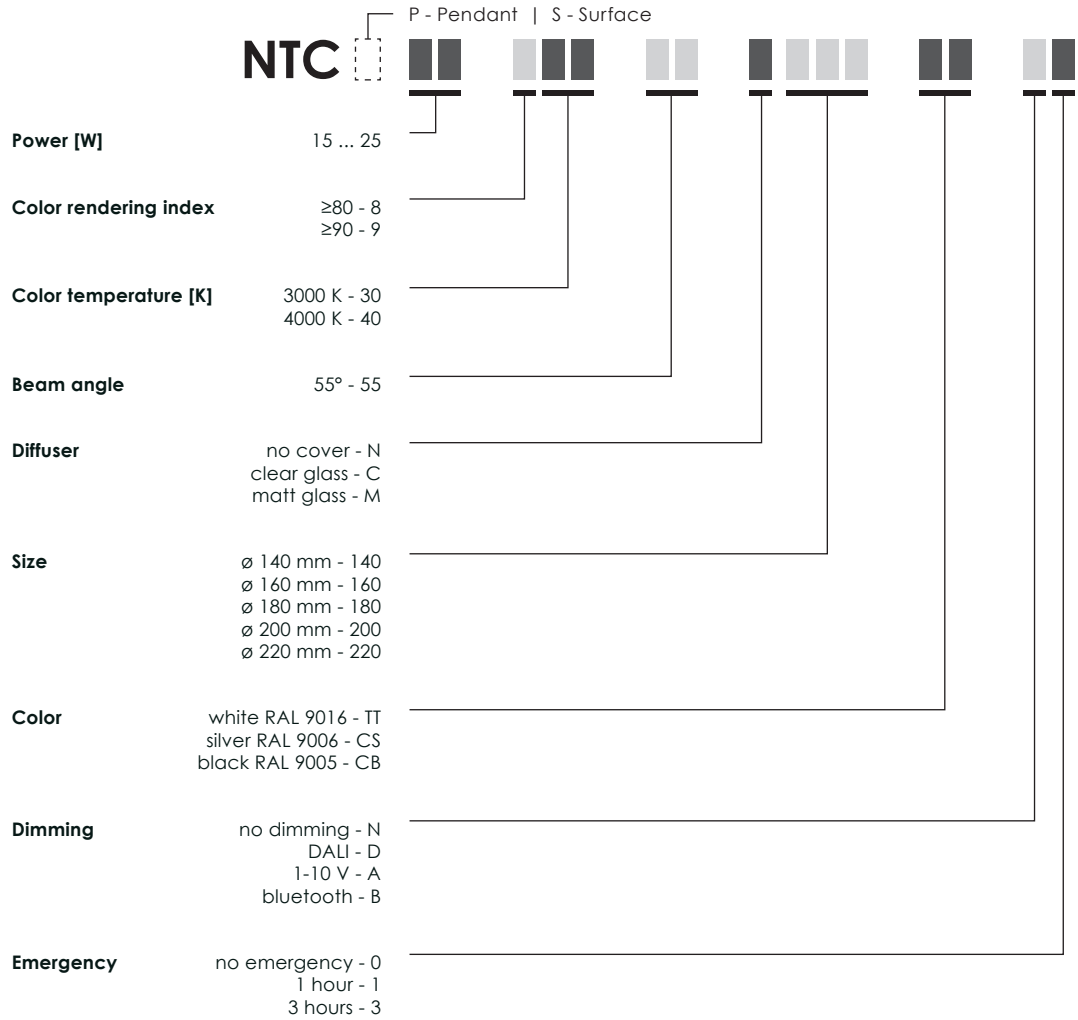
²⁾ Top of luminaire

³⁾ Optical part of luminaire

* This value is only informative and may change according to selected article. LED Lifetime is strongly depending from LEDs current and junction temperature – increase in LED current and luminaire power lead to increase of junction temperature and as consequence lifetime decrease. Thus, luminaire models with lower power, lower current (and lower junction temperature) will have higher lifetime than standard models. And high power and high current luminaire models may have negative lifetime deviation comparing to standard models. To receive precise value please contact VIZULO export representatives.

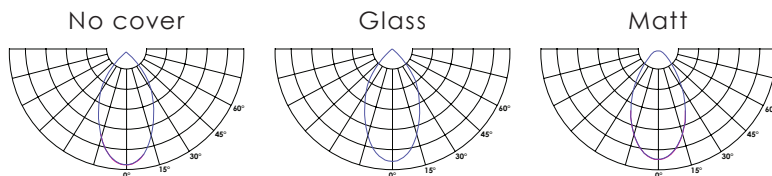
Technical parameters for final product can differ from typical data by 7% due to special conditions of LED manufacturing processes.

Model name principles



EXAMPLE NTC S 25 830 55 C140 TT N0

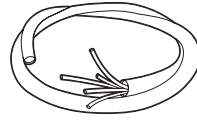
Optics



Accessories

Connection cable with open end

5 x 1.5 mm², length 2.5 m Art. 70042016

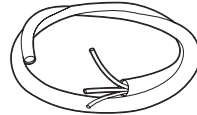


Connection cable with open end

length 2.5 m

3 x 1.5 mm² Art. 70042018

3 x 2.5 mm² Art. 70042019

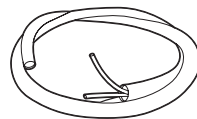


Connection cable with open end

length 2.5 m

2 x 1.5 mm² Art. 70042020

2 x 2.5 mm² Art. 70042021

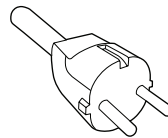


Connection cable with plug

length 2.5 m

3 x 1.5 mm² Art. 70042022

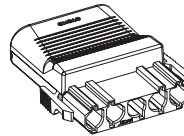
2 x 1.5 mm² Art. 70042023



Connection cable with Ensto (NAC51S.W)

5-way plug

5 x 1.5 mm², length 2.5 m Art. 70042009



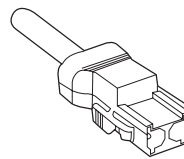
Connection cable with Ensto (NAC21S.W)

2-way plug

length 2.5 m

2 x 1.5 mm² Art. 70042010

2 x 2.5 mm² Art. 70042015



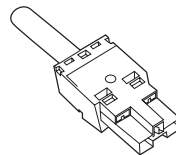
Connection cable with Wago Winsta

(770-112/041-000) 2-way plug

length 2.5 m

2 x 1.5 mm² Art. 70042008

2 x 2.5 mm² Art. 70042013



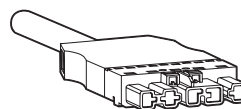
Connection cable with Wago Winsta

(770-1115) 5-way plug

length 2.5 m

5 x 1.5 mm² Art. 70042007

with DALI 5 x 1.5 mm² Art. 70042030



Certification



CE – conformity with European Union's health, safety and environmental protection standards

The CE mark is placed on products to state conformity with the relevant EU health, safety and environmental protection standards. In case of electronic products, the standards are, for example, the Restriction of Hazardous Substances in Electrical and Electronic Equipment (RoHS) directive, Waste Electrical and Electronic Equipment (WEEE) directive, the Electromagnetic Compatibility (EMC) directive etc. The mark ensures that the product can be sold anywhere in the European Economic Area (EEA).



UKCA - conformity with the relevant essential requirements of Great Britain

UKCA is a product mark intended to demonstrate compliance with the directives set by Great Britain (England, Scotland and Wales). It is analogous to the European Union's CE marking, meaning that depending on the type of product the applicable regulations are different. In case of LED lighting, the relevant requirements are compliance with the Electromagnetic Compatibility Regulations, the Electrical Equipment (Safety) Regulations, the Restriction of the Use of Certain Hazardous Substances in Electrical and Electronic Equipment Regulations and the Ecodesign for Energy-Related Products and Energy Information (Lighting Products) Regulations.



RoHS – compliance with European Union's RoHS directive

The RoHS (Restriction of Hazardous Substances in Electrical and Electronic Equipment) directive restricts (with exceptions) the use of ten hazardous materials in the manufacture of various types of electronic and electrical equipment. The aim of the directive is to prevent the risks posed to human health and the environment related to the management of electronic and electrical waste.



Bygghälsöcertifiering – product chemical content and life cycle assessment

Bygghälsöcertifiering is a non-profit organization owned by large constructors and property owners in Sweden. The organization conducts assessments of various construction products based on chemical content and sustainability criteria. The constituent substances and product life cycle are evaluated and the product is assigned one of three levels:



Recommended
(green)

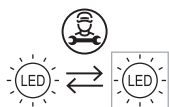


Accepted
(yellow)



To be avoided
(red)

Note: the Recommended level assessment is unavailable for electronic products since it is assumed that all electronic products contain brominated flame retardants.



LED module replaceable by a professional

This pictogram shows that the LED modules included in the luminaire are only replaceable by a professional. This labeling is a requirement following the introduction of European Union's Regulation on energy labelling for light sources (EU) 2019/2015.



LED driver replaceable by a professional

This pictogram shows that the LED driver included in the luminaire is only replaceable by a professional. This labeling is a requirement following the introduction of European Union's Regulation on energy labelling for light sources (EU) 2019/2015.



VIZULO

Bukultu street 11
Riga, LV – 1005, Latvia

Sales: + 371 67 383 023
Production: + 371 67 383 024

sales@vizulo.com
www.vizulo.com

